


INDOOR SCOREBOARD
8212

Basketball
Volleyball
Wrestling
Segment Timing



| | | | | | | | | | | |
|---|---|-------|------------|--------|------------|--------|--------------|-------|--------------|-------|
| OVERALL DIMENSION | 4'4"high x 8' wide x 5" deep. (w/ EMC, 5'6"high x 8' wide x 5" deep.) | | | | | | | | | |
| INFORMATION DISPLAYED | Game Time, Home and Guest Score, Period, Time Outs Left, Team Fouls/Score, Bonus, Double Bonus, Possession. <i>Information may vary depending on variations.</i> | | | | | | | | | |
| DIGITS | 12", 10", 8" Bright Red and Amber, 7-Segment LEDs. | | | | | | | | | |
| INDICATORS | 2" Red and Amber LED Indicators. | | | | | | | | | |
| CAPTIONS | White vinyl letters. | | | | | | | | | |
| HORN | Includes external 100 dB horn. 120dB Trumpet horn is available. | | | | | | | | | |
| CONSTRUCTION | 5" extruded aluminum frame, .093" thick. Faces made from shatter proof polycarbonate. | | | | | | | | | |
| STANDARD COLORS (Custom Colors Available) | <table border="1" style="width: 100%; text-align: center;"> <tr> <td>BLACK</td> <td>NAVY</td> <td>BLUE</td> <td>LIGHT BLUE</td> <td>PURPLE</td> <td>BURGUNDY</td> <td>RED</td> <td>FOREST GREEN</td> <td>GREEN</td> </tr> </table> | BLACK | NAVY | BLUE | LIGHT BLUE | PURPLE | BURGUNDY | RED | FOREST GREEN | GREEN |
| BLACK | NAVY | BLUE | LIGHT BLUE | PURPLE | BURGUNDY | RED | FOREST GREEN | GREEN | | |
| ELECTRONICS | 100% solid state, microprocessor controlled system. | | | | | | | | | |
| SERVICING | Front access for ease of servicing. Plug in modules for ease of replacement. | | | | | | | | | |
| MICROPROCESSOR CONTROL CONSOLE | Sold separately. Extruded Aluminum, high impact low profile microprocessor control console, latest state of the art, user friendly. Size: 13.25" wide x 5" high x 9" deep. Weight: 6 lbs. Microprocessor to be supplied with 25 feet of cable (hardwire). Microprocessor control console with membrane keyboard provides for direct entry of all information. Radio Control is available. | | | | | | | | | |
|  | | | | | | | | | | |
| JUNCTION BOX | One dual-system capable junction box, 4" x 2" with cover and ethernet cable. (Hardwire) | | | | | | | | | |
| DATA CABLE | Twisted pair, direct burial, RJ45 Connectors (Hardwire). | | | | | | | | | |
| POWER REQUIREMENTS | 115/230 VAC. 50/60 Hz. Minimum one 20A circuit is recommended. | | | | | | | | | |
| INSTALLATION | May be mounted to nearly any wall surface. | | | | | | | | | |
| WEIGHT | Net 152 lbs / Shipping 257 lbs. (w/ EMC, Net 182 lbs / Shipping 319 lbs) | | | | | | | | | |
| WARRANTY | Five year guarantee against defects in materials and workmanship. Factory repair service for parts in warranty. Union label. UL Certified. | | | | | | | | | |

STANDARD VARIATIONS - Add suffix to model number in order that they appear below (see examples on next page)

| | |
|---------------------|--|
| Model + C | Without Time Outs Left. |
| Model + X | Team Fouls/Score manufactured with "88" digits rather than "18" - ideal for wrestling. |
| Model + EMC | Everbrite Message Center built into the cabinet. (6" High Text, 8x112 Matrix) |
| Model + LOGO | Logo/Sponsor area in place of Player Foul. |
| Model + RV2 | Radio upgrade. 2.4 GHz spread spectrum, 1500' expected range. |

EXAMPLES OF VARIATIONS

This page shows samples of boards within the 8212 family. Not all "standards" are shown. Boards that fall outside of these options will be considered custom and will require additional engineering.



8212C



8212LOGO



8212C



8212CLOGO



8212EMC



8212CX

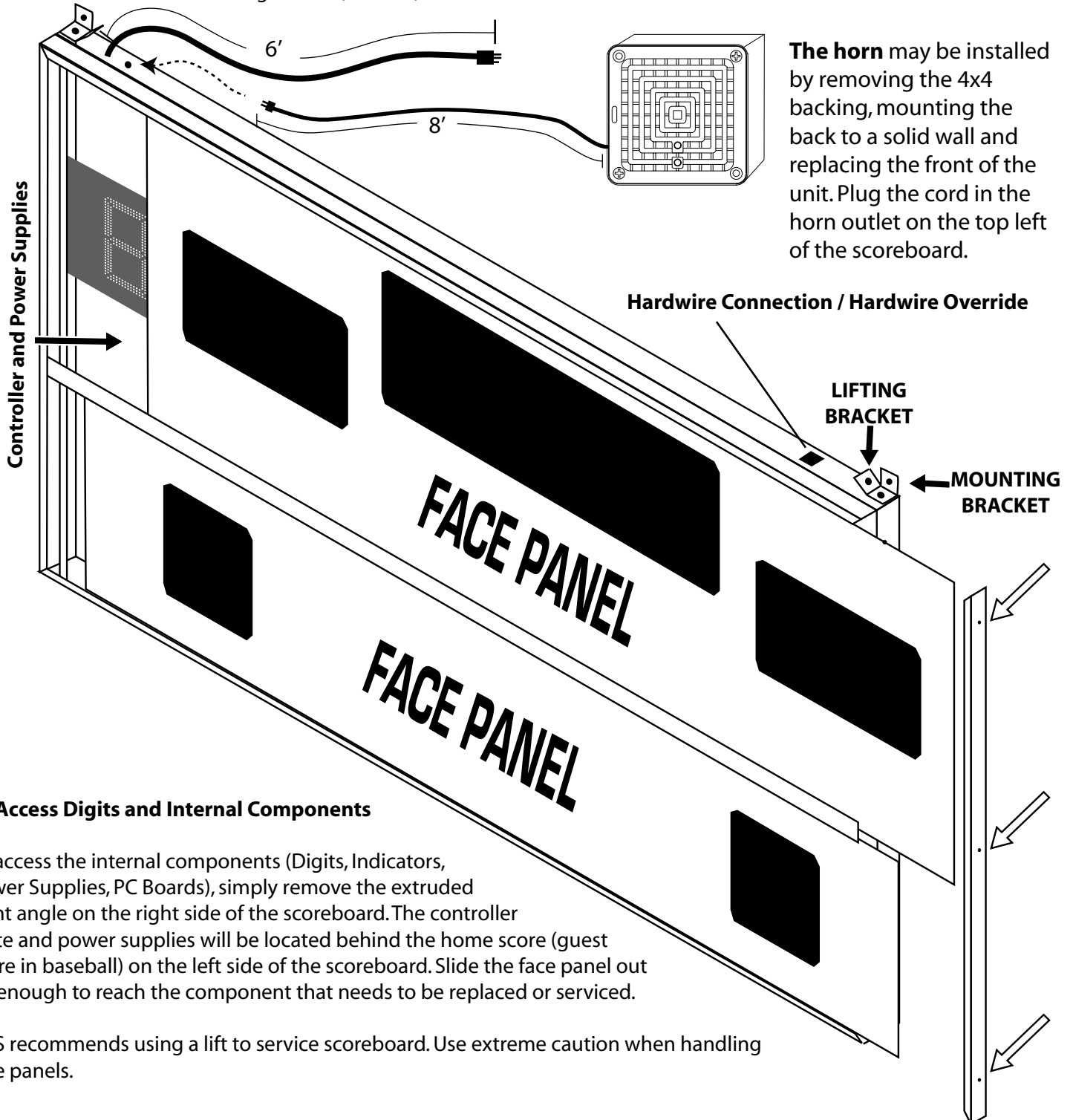
INDOOR SCOREBOARD INSTALLATION

REFER TO ENGINEERED DRAWINGS FOR ACTUAL MEASUREMENTS

Scoreboard MUST be mounted in at least 4 points. Mounting Brackets are supplied on the top and bottom of scoreboard. Refer to supplied engineering drawing for proper measurements and number of mounting points.

Using lifting angle (attached to top mounting brackets), lift scoreboard to desired location and bolt to wall. Because wall types may vary, type of bolt cannot be recommended nor supplied by All American Scoreboards. Refer to scoreboard weight and wall type before determining installation method. In rare cases, additional structure may be necessary. All American Scoreboards (AAS) and/or Everbrite, LLC shall not be held liable for improper installation.

AAS recommends the scoreboard be installed by a licensed contractor, and must meet all local and national building codes. AAS recommends using a boom, forklift, or crane of suitable size to use in installation.



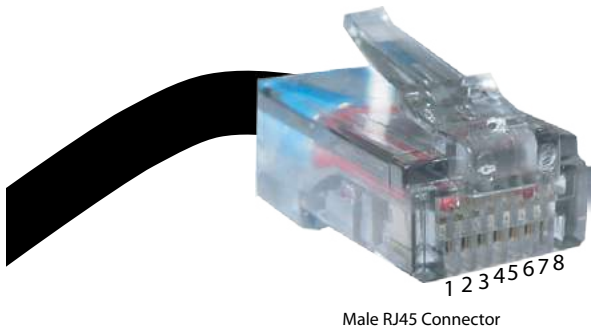
To Access Digits and Internal Components

To access the internal components (Digits, Indicators, Power Supplies, PC Boards), simply remove the extruded front angle on the right side of the scoreboard. The controller plate and power supplies will be located behind the home score (guest score in baseball) on the left side of the scoreboard. Slide the face panel out far enough to reach the component that needs to be replaced or serviced.

AAS recommends using a lift to service scoreboard. Use extreme caution when handling face panels.

Hard Wire Setup / Hardwire Override Capable

Using a Dual Capable Junction Box

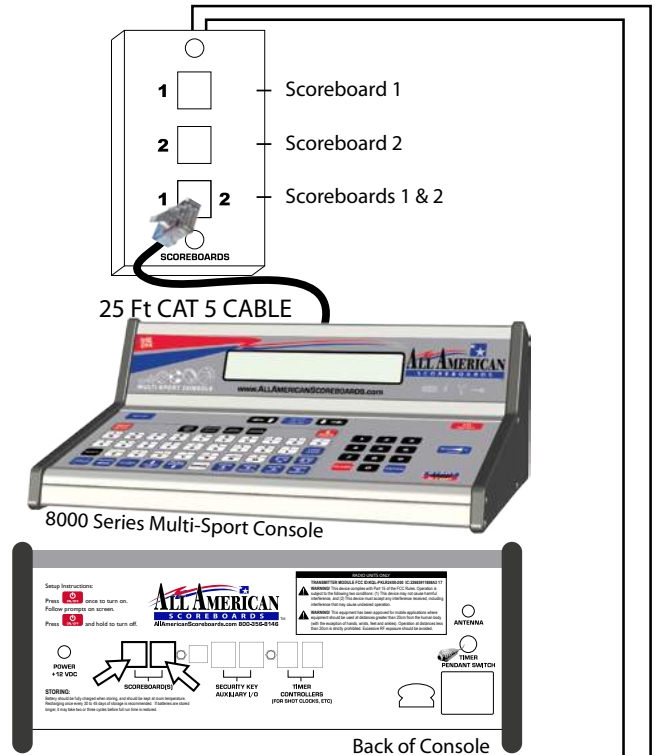
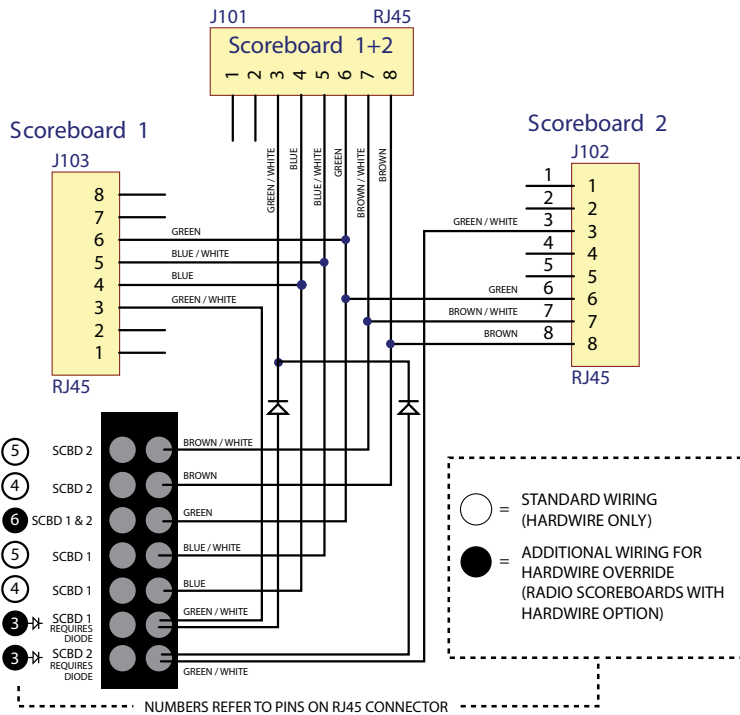


Male RJ45 Connector

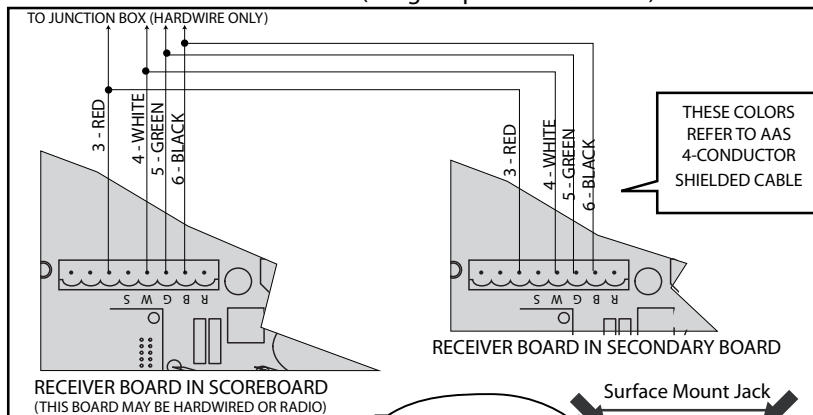
All radio scoreboards have the ability to be used via hardwire. When installed properly, the radio on the scoreboard will turn off when a console is plugged into the hardwire input (console still sends radio signal). Data travels over leads 4 & 5, while the hardwire override signal travels over 3 & 6. **A Radio board may also pass data to a hardwired board using The same wiring methods.**

The 8000 Series Console can plug directly into the scoreboard via a standard CAT5 cable and RJ45 connections. It may be necessary or convenient to use a data splitter.

Outdoor boards will require a water tight junction box. Data connections will be directly connected to the receiver board in scoreboard. Data connection and AC power cannot run in same conduit.

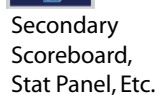


4 Conductor Twisted Data Cable (Length Specified w/ Order)



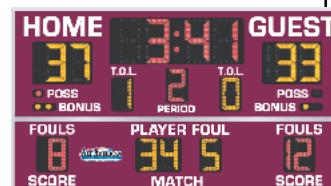
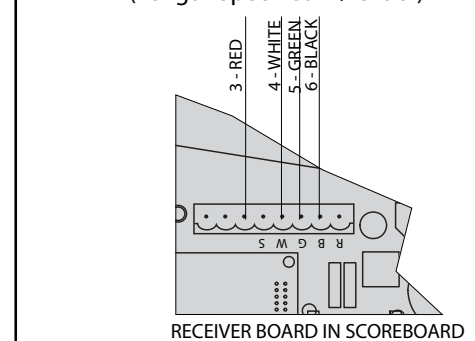
Scoreboard 1

*Actual scoreboard configurations may differ.



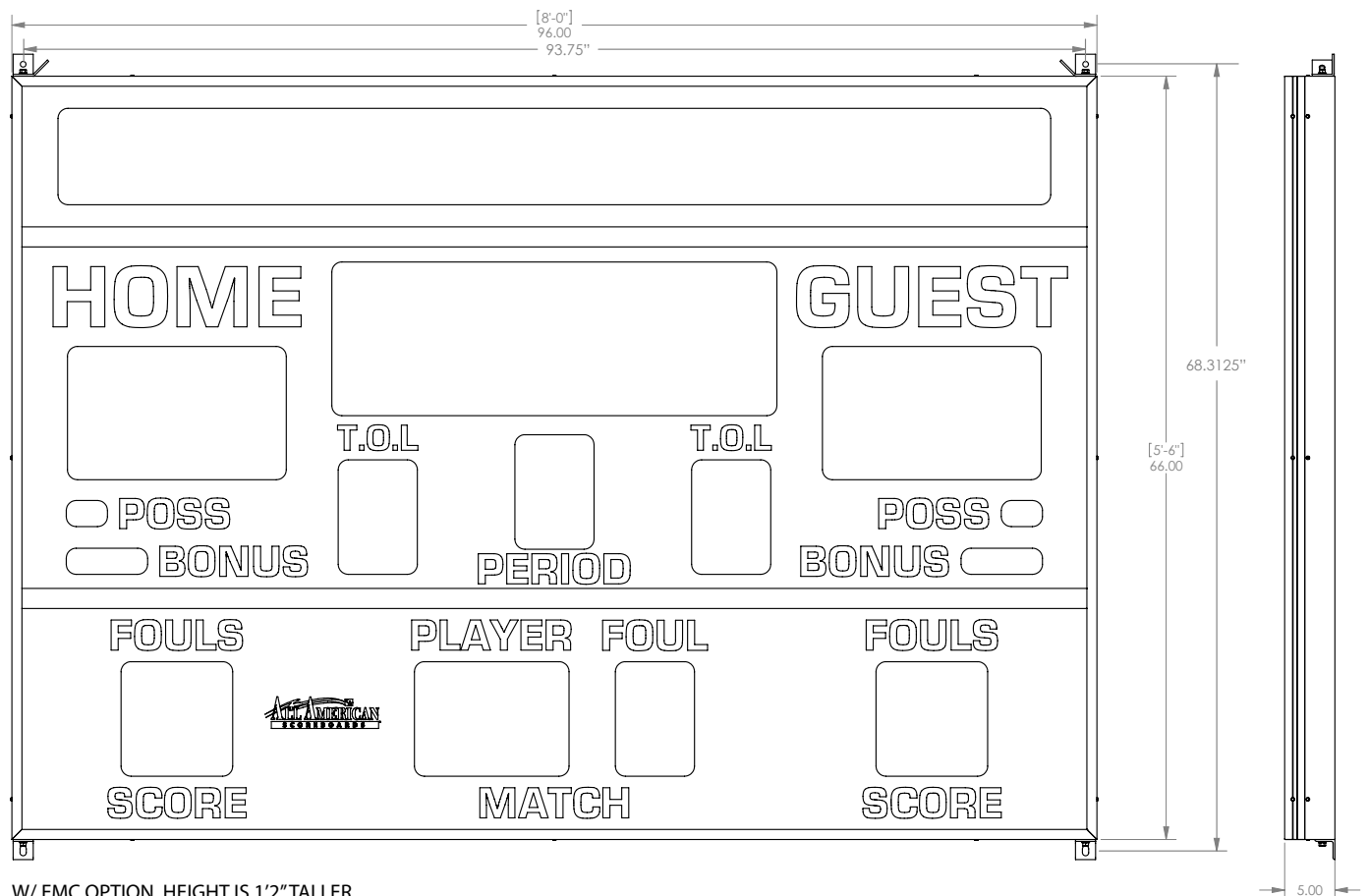
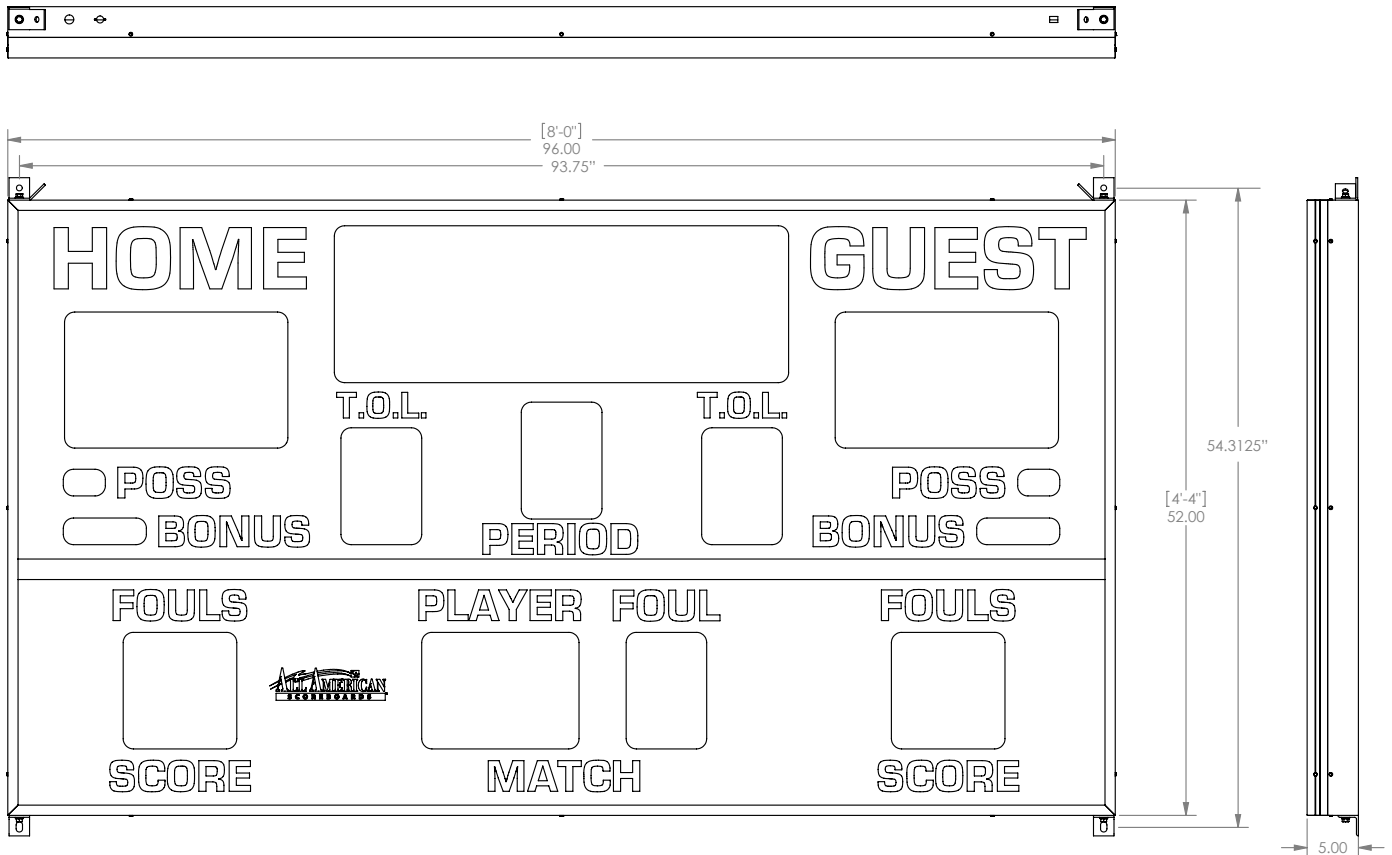
Secondary Scoreboard, Stat Panel, Etc.

4 Conductor Twisted Data Cable (Length Specified w/ Order)



Scoreboard 2 or Auxiliary Board

(Scoreboard, Timer, Pitch Count, Shot Clock, etc)



W/ EMC OPTION, HEIGHT IS 1'2" TALLER

